

DATA SHEET

EVO Ø160-WLD RGB+W

STAINLESS STEEL AISI 316L
ALUMINIUM 6082

The Sea Led Evolution Series is the upgrade of the line of underwater lights by the Cantalupi Group. It's designed to achieve first-class lighting performance and to ensure the safety of the boat.

The model EVO 160-WLD-RGB+W is provided with one cofferdam to be welded and trimmed to adjust it to the hull, in order to prevent any mistake when choosing the right inclination/cutting angle.

The light integrates an RGB + W Power Led, and it is possible to manage it both through on-board automation or audio video systems, and through our stand alone system.

It can be disassembled from the inside to replace the lighting core.

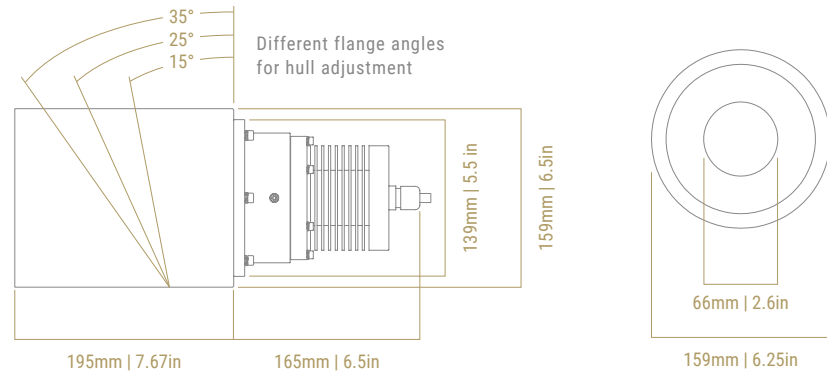


LIGHT TECHNICAL DATA

Power	141 W
Current / Amp draw	1.05A @ 26 Vfr / 36 Vfgrw
CCT	RGB+W
Beam Angle (degrees)	wide 100°
Power Supply	110-220VAC-48VDC
Dimming	DALI, DMX

FEATURES

Flange Material	Stainless Steel AISI316L Aluminium 6082
Width dimensions	Ø 159 mm / 6.26 in
Light dimensions	165 mm / 6.5 in
Heatsink	Aluminum 6082
Glass	Protective Tempered Clear Glass
Protection	Yes
Water Ingress Protection Rating	IP68
Light Cable Length	3mt / 9' 8" (Standard)



STAINLESS STEEL AISI 316L

FLANGE CODE

90 FLANG 160 WLD SS FRONT

LIGHTING CORE

Wide Beam: 90 SEALE RGBW 160WLDSS 100

ALUMINIUM 6082

FLANGE CODE

90 FLANG 160 WLD AL FRONT

LIGHTING CORE

Wide Beam: 90 SEALE RGBW 160WLDAL 100

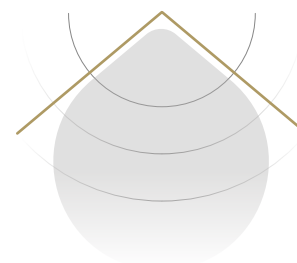
DRIVER

Interfaceable with the most common domotic systems for select your driver choose on page: 66-67

BEAM

Wide Beam

100°



STAND ALONE RGB SYSTEM

for select your system
choose on page: 67